

Little GIANT[®]

Pump Company

VCL-24 SERIES



Features

- Vertical type pump unit
- Leakproof, rustproof, ABS tank
- ABS switch cover and pump stand
- Galvanized steel tank cover
- Stainless Steel motor shaft
- 3/8" O.D. barbed discharge adapter
- Safety Switch included on "S" models
- 24' shut-off head
- UL/CSA listed
- Thermal overload protected

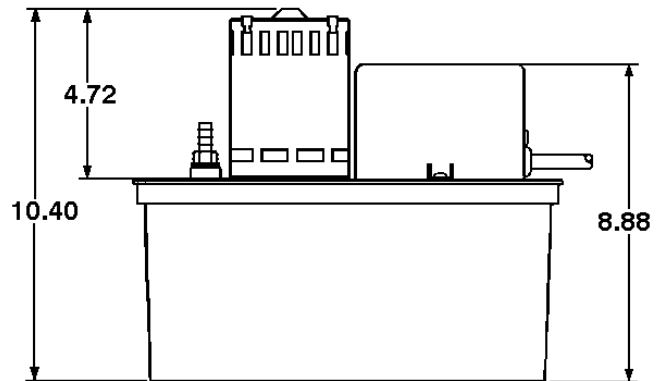
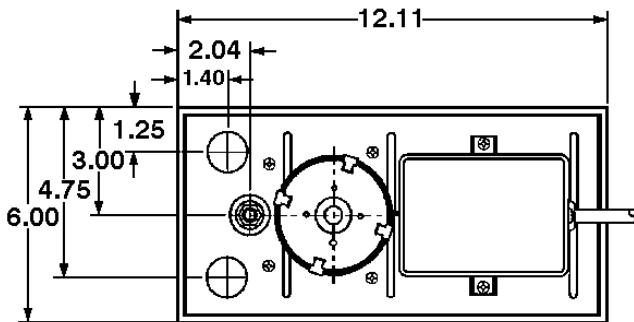
Construction

- Motor — 1/18 HP
- Intermittent Liquid Temp. up to — 120° F
- Discharge — 3/8" barbed
- Housing — N/A
- Cover — Galvanized steel
- Volute — ABS
- Impeller — Polypropylene
- Shaft Seal — N/A
- Screen — ABS

Large, 1 gallon, ABS plastic tank condensate unit. Pumps feature a vertical-type pump with stainless steel motor shaft, and galvanized steel tank cover. Discharge is a 3/8" O.D. barbed tubing adapter. Pump features a safety switch that can be connected to shut down the air conditioner condenser or wired to an alarm to warn of possible tank overflow. Pump is rated for high-efficiency gas furnace applications that produce an acidic condensate. Thermally protected motor is UL and CSA listed.

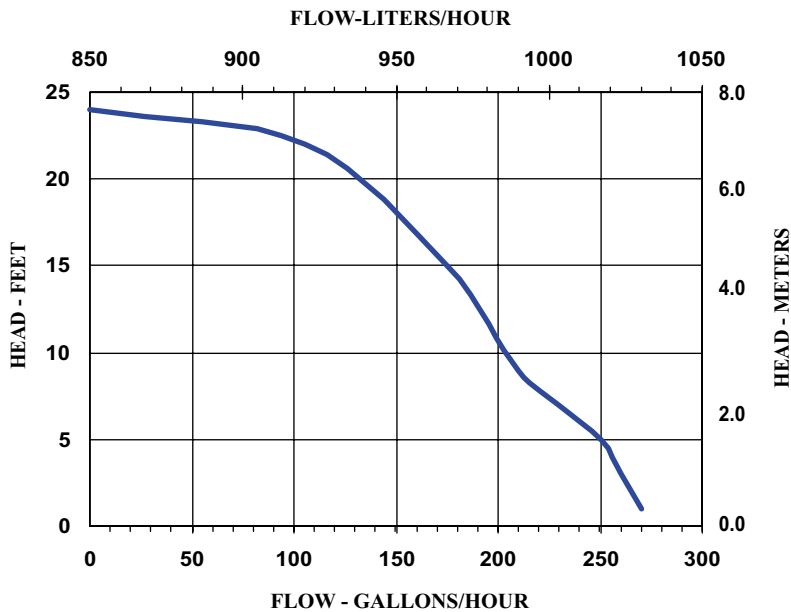
Little Giant Pump Co.

VCL-24 SERIES



Specifications

Model No.	Item No.	Discharge Size	Listing(s)	HP	Volts	Hertz	Amps	Watts	Performance (GPH @ Head)				Shut Off		Pwr. Cord (ft)	Weight (Lbs.)
									1'	3'	5'	9'	Feet	PSI		
VCL-24UL	553206	3/8" OD Barbed	UL/CSA	1/18	115	60	2.5	148	270	260	250	210	24	10.4	6	8.20
VCL-24ULS	553201	3/8" OD Barbed	UL/CSA	1/18	115	60	2.5	148	270	260	250	210	24	10.4	6	8.20
VCL-24ULS	553211	3/8" OD Barbed	UL/CSA	1/18	230	50/60	1.2	148	270	260	250	210	24	10.4	6	8.20



Replacement Parts

Tank	153502
Cover, Tank	153220
Stand/Volute	153100
Cover, Volute	153110
Float/Switch Assy	153537
Impeller	153132
Safety Switch Assy	154713
Motor Assy	977230
Cover, Switch	153120
Adapter, 3/8"	153300
Seal Ring	924038

Little Giant Pump Co.

PO Box 12010
Okl. City, OK 73157

Phone: 405.947.2511
Fax: 405.228-1550

www.LittleGiantPump.com

Form No. 995127 - 12/00